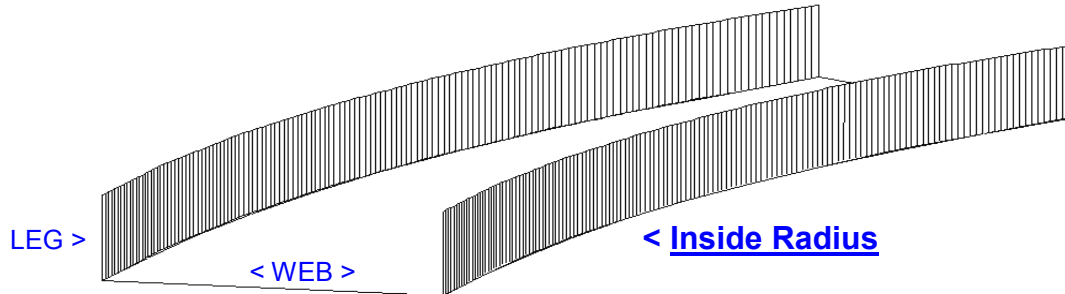




RWT – Radiused Wall Track

Order using the [Inside Radius](#)



RWT - Radiused Wall Track

Used for construction of curving Walls & Soffits.

Available in 25 – 14 Gauge, **ANY** Radius

Web Widths from 1-1/2" to 16"

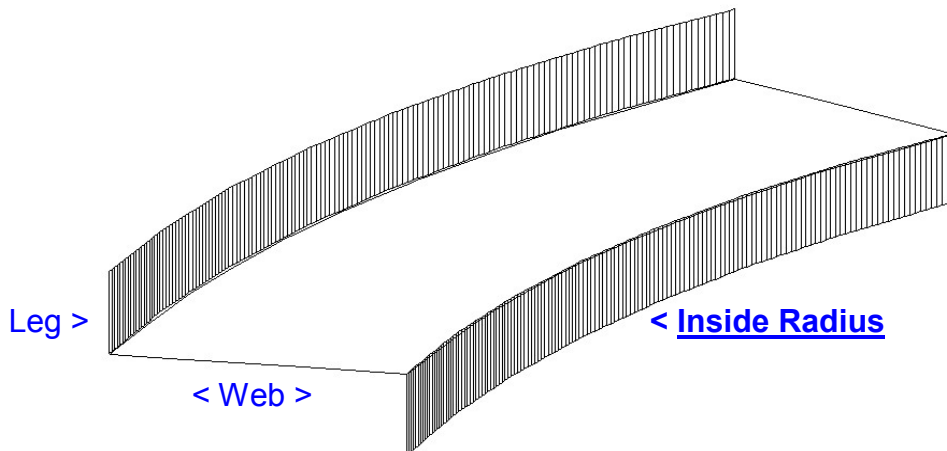
Leg heights from 1-1/4" to 6"

Lengths up to 144"



ZRT - Radiused Wall Track with Reversed Leg

Order using the [Inside Radius](#)



Radiused Wall Track with Reversed Leg

Used for construction of **Nested** Soffits.

Available in 25 – 14 Gauge, **ANY** Radius

Web Widths from 1-1/2" to 16"

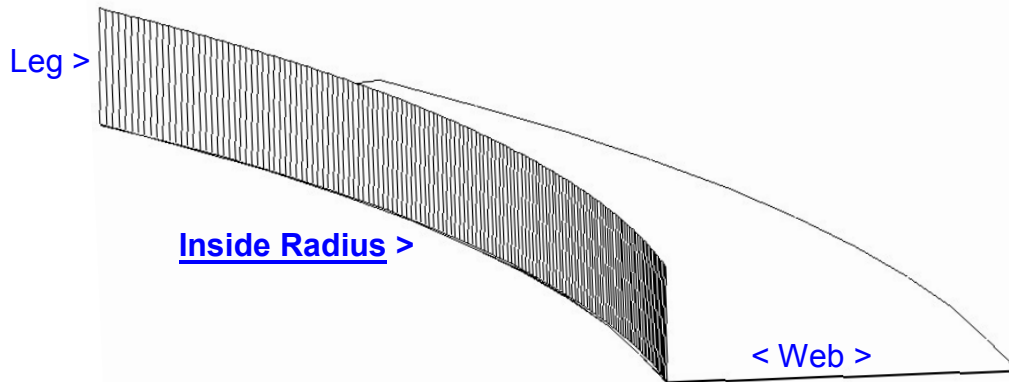
Leg is 1-1/4"

Lengths up to 144"



RAI – Radiused Angle with an Inside Leg

Order using the [Inside Radius](#)



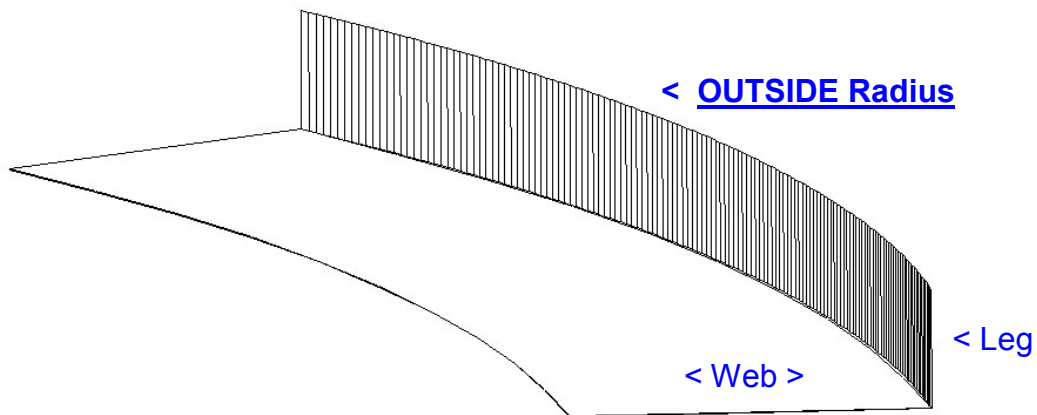
Radiused Angle with an **INSIDE** Leg

Sometimes use for Dome Light Cove
Available in 25 – 14 Gauge, **ANY** Radius
Web Widths from 2-1/2” to 12”
Leg is 1-1/4”
Lengths up to 144”



RAO - Radiused Angle with an **OUTSIDE** Leg

Order using the [OUTSIDE Radius](#)



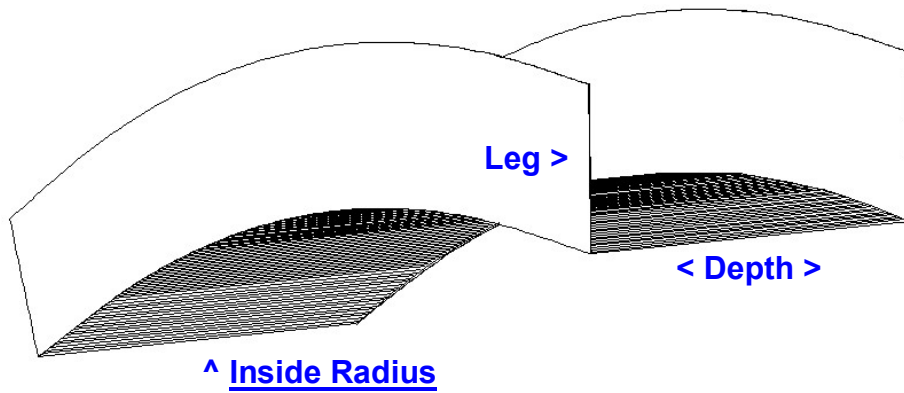
Radiused Angle with an **OUTSIDE** Leg

Available in 25 – 14 Gauge, **ANY** Radius
Web Width is 2-1/2”
Leg is 1-1/4”
Lengths up to 144”



RAT - Radiused Arch Track

Order using the [Inside Radius](#)



Radiused Arch Track

Used for forming long arches between vertical walls,
when a Fast Arch would be too big.

Available in 25 – 14 Gauge, **ANY** Radius

Depth in 1-1/2" to 16"

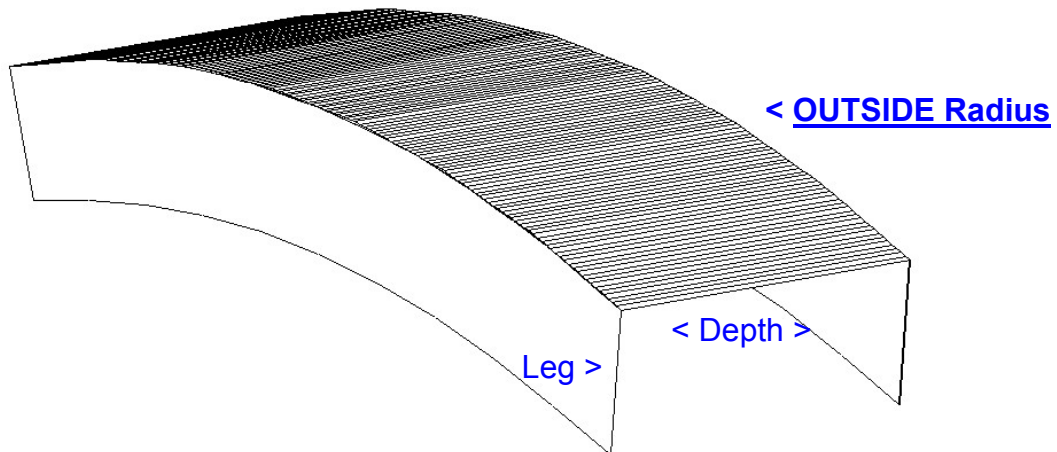
Legs are 1-1/2" to 6"

Lengths up to 144"



RAC - Radiused Arch Cap

Order using the [OUTSIDE Radius](#)



Radiused Arch Cap

Used for capping an arch top wall

Available in 25 – 14 Gauge, **ANY** Radius

Depths from 1-1/2" to 16"

Legs from 1-1/2" to 6"

Lengths up to 144"